



AFS  
Alternative Fuel  
Systems

seitzvalve

## ProValve Single

The ProValve Single has been especially developed for the dispensing of compressed gas and this product is designed according highest quality- and safety standards.

Further to our single valves ProValve Single we are offering also valve blocks (manifolds) ProValve Multi.



ProValve Single without solenoid

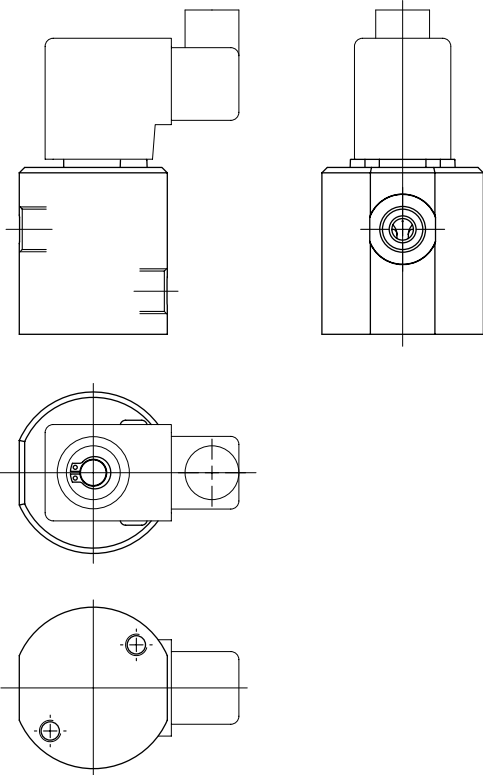


ProValve Single with solenoid

<b>Function</b>	2/2-way solenoid valve, NC
<b>Pressure range</b>	10 ... 350 bar
<b>Test pressure</b>	525 bar
<b>Burst pressure</b>	1400 bar
<b>Housing material</b>	Stainless steel
<b>Mounting position</b>	Any
<b>Media</b>	Natural gas
<b>Ambient temperature</b>	-40 °C ... +60 °C
<b>Rated voltage</b>	24 V AC/DC 110 V AC 230 V AC/DC
<b>IP-Code</b>	IP 65/67
<b>EC-type-examination</b>	14A/C80: <b>PTB 05 ATEX 2050 X</b> ⊗ II 2 G Ex mb IIC T6, T5, T4 Gb ⊗ II 2 D Ex mb tb IIIC T80 °C, T95 °C, T130 °C Db  14F52: <b>PTB 12 ATEX 2024 X</b> ⊗ II 2 G Ex e mb IIC T4, T6 Gb ⊗ II 2 D Ex tb mb IIIC T130 °C, T80 °C Db



**AFS**  
Alternative Fuel  
Systems



## Order Information

### ProValve Single

Type	Orifice Size	Port Connections	Flow Rate
3050 G	DN 0.5mm	G 1/4"	Kv = 0.009 m <sup>3</sup> /h
3050 S	DN 0.5mm	UNF 7/16"-20 (SAE 4)	Cv = 0.001 usgal/min
3050 N	DN 0.5mm	ANPT 1/4"	
3051 G	DN 8mm	G 3/8"	Kv = 0.96 m <sup>3</sup> /h
3051 S	DN 8mm	UNF 9/16"-18 (SAE 6)	Cv = 1.1 usgal/min
3051 N	DN 8mm	ANPT 3/8"	
3052 G	DN 12mm	G 1/2"	Kv = 2.3 m <sup>3</sup> /h
3052 S	DN 12mm	UNF 3/4"-16 (SAE 8)	Cv = 2.7 usgal/min
3052 N	DN 12mm	ANPT 1/2"	
3054 G	DN 18mm	G 1"	Kv = 7.5 m <sup>3</sup> /h
3054 S	DN 18mm	UNF 1 5/16"-12 (SAE 16)	Cv = 8.7 usgal/min
3054 N	DN 18mm	ANPT 1"	

### Solenoid coil

Type	Voltage	Temperature Range	Rated Power
14A80	24 V DC	-20 °C ... +50 °C	10 W
14C80	24 V AC	-20 °C ... +50 °C	12 W
	110 V AC	-20 °C ... +50 °C	12 W
	230 V AC	-20 °C ... +50 °C	12 W
14F52	24 V AC/DC	-40 °C ... +60 °C	12 W
	230 V AC/DC	-40 °C ... +60 °C	12 W