

Multi Valve Type 2853

The Multi Valve is specially designed to combine various different functions from start to emergency stop systems.

Up to four applications in four stroke engines can be supported by combining simply different components like blind plugs, manual overrides or emergency stops.

- Start Valve
- Start Valve with slow turn
- Shut-off Valve for marine engines
- Shut-off Valve for power plant engines



Multi Valve

Multi Valve

Technical data

Function	3/2-way Solenoid Valve NC/NO
Operating pressure	6 ... 30 bar
Pilot pressure	5 ... 30 bar
Test pressure (static)	1.5 × 30 bar = 45 bar
DN	25 mm
Connection	Port no. 1,2,3: ISO 228-G1" Port no. 4,Z: M14 × 1.5
Material	Valve body: Aluminium anodised Piston: Stainless steel Seals: NBR
Mounting position	Arbitrary
Media	Compressed air according ISO 8573.1 – Particles: Quality 5 – Pressure of dew point: Quality 5 – Oil content: Quality 3
Ambient temperature	-20 °C ... +65 °C
Flow rate	Kv 11,5 m ³ /h
Leakage	External: Bubble free Internal: < 0.12 NI/h
Solenoid	Type 2-A-37 24V DC, 11 Watt -20 °C ... +100 °C, IP 65 Intermittent duty S3 10% – 10 min.

Order information

Connection	Type	Art.-No.	Weight
Start Valve / Slow turn	Type 2853	163.169.00	5.82 kg
	Manual override	166.014.00	
Marine Emergency Shut-off Valve	Type 2853	163.169.00	5.95 kg
	Emergency stop	165.065.00	
Power Plant Emergency Shut-off Valve	Type 2853	163.169.00	5.74 kg
	Blind plug	166.018.00	



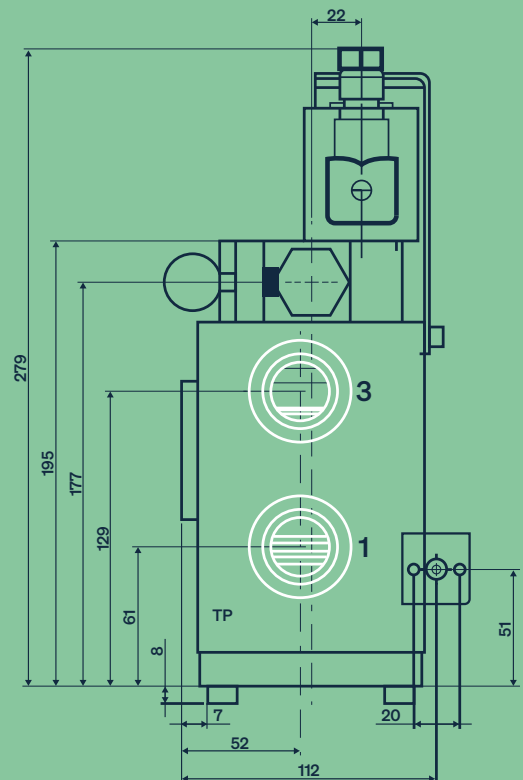
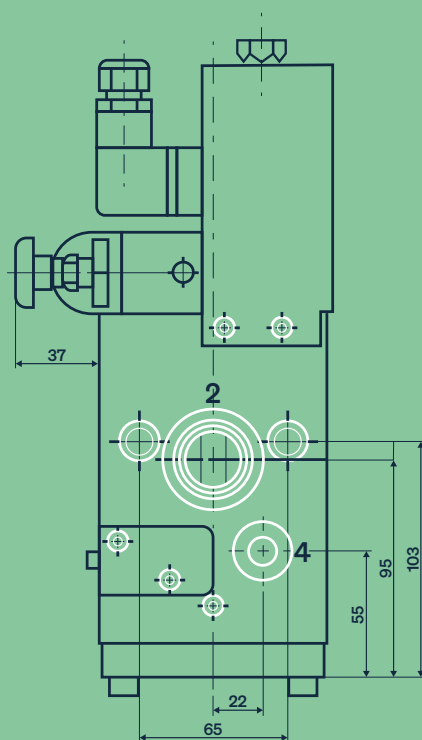
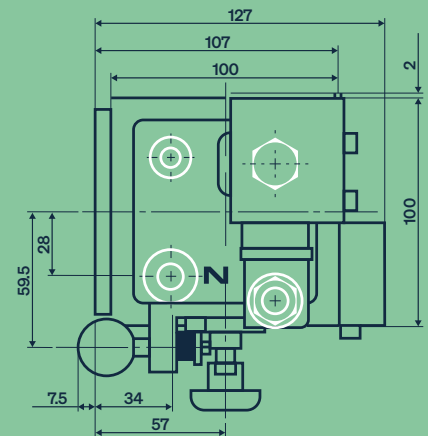
Start Valve/Slow turn



Marine
Emergency Shut-off Valve



Power Plant
Emergency Shut-off Valve



For detailed dimensional drawing or 3-D model, please contact us.

Eugen Seitz AG
Spitalstrasse 204
8623 Wetzikon
Switzerland

+41 44 931 80 80
info@seitz.ch

Seitz Valve Technology (Shanghai) Co., Ltd.

Room 910, Building No 67
Hong Cao Rd 421
200233 Shanghai
People's Republic of China

+86 21 3363 3880
information@seitz.cn