

HyValve 1000 Type 3105

One of the first members of our hydrogen valve portfolio, the HyValve 1000 with orifice size DN 0.5 allows a lower flow rate, ideal for venting or bleeding lines and sampling.

The Seitz build quality guarantees unrestricted reliability. Despite its compact design, the valve can be used safely over the full temperature range and therefore offers endless flexibility.

We aim to be your partner in building a hydrogen economy. For your peace of mind, our hydrogen valves were honed for long maintenance periods and easy serviceability. Our HyValve range will convince you by its high repeatability, utmost safety and exceptional reliability.



HyValve 1000, Type 3105

HyValve 1000

Type 3105

Technical data

Medium	Hydrogen
Function	2/2-way solenoid valve, NC
Pressure range (PN)	0 ... 100 MPa 0 ... 1'000 bar 0 ... 14'500 Psi
Test pressure (PT)	150 MPa 1'500 bar 21'755 Psi
Burst pressure (DIN EN 12516-3)	> 300 MPa > 3'000 bar > 43'511 Psi
Design Pressure (PS)	1'000 bar (14'500 Psi)
Orifice size	DN 0.5
Material	Stainless steel (1.4435)
Mounting	Any position
Ambient temperature	-40°C ... +50°C
Media temperature	-50°C ... +85°C
Rated voltage	24 V AC/DC or 230V AC
IP-Code	IP 65/67
EC-type-examination	Solenoid coil 2F86: EPS 18 ATEX 1098 X IECEX EPS 18.0055 X Nepsi GYJ 23.1022 X Ⓢ II 2G Ex mb IIC 150°C (T3)...(T4)Gb

Order information

HyValve 1000

Type	Orifice Size	Tube Size	Flow Rate	Voltage	Material**	Item Number
3105	DN 0.5	1/4" (6.35)	Kv = 0.009 m ³ /h	24 V AC/DC	1.4435	800.817.00
			Cv = 0.010 US-gal/min	230 V AC	1.4435	800.818.00

Solenoid coil

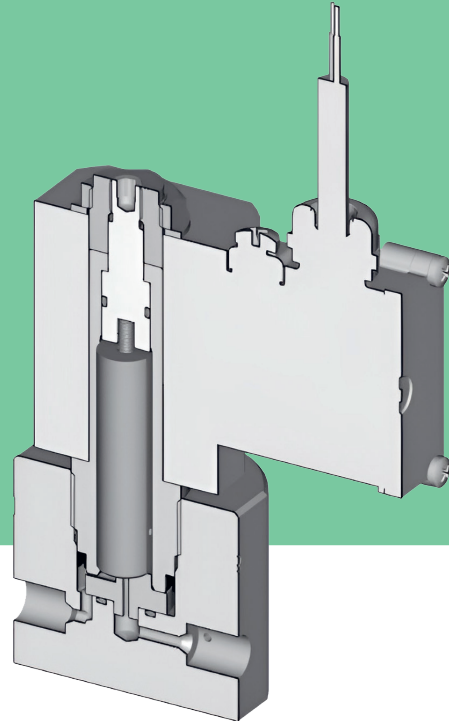
Type	Temperature Range	Rated Power	Voltage	Item Number
2F86	-50°C ... +85°C (T3)*	16 W***	24 V AC/DC ±15%	275.275.024B
	-50°C ... +85°C (T3)*	16 W***	230 V AC ±15%	275.275.230B

* T4: -50°C ≤ Tamb ≤ +65°C

** Pressure retaining housing is made of listed material

*** Duty cycle 100% over full temperature range

For detailed dimensional drawing or 3-D model, please contact us.



Eugen Seitz AG
Spitalstrasse 204
8623 Wetzikon
Switzerland
+41 44 931 80 80
h2info@seitz.ch

西兹阀门技术(上海)有限公司
中国 .上海市 .虹漕路 421 号67 幢910 室
电话: +86 21 33633880
传真: +86 21 33633883