

HyValve 1000 Type 3106

Boasting best-in-class performance, the HyValve 1000 (DN6) assures an exceptional refueling experience. Due to its high flow rate, a fast filling process in a safe environment is possible. No matter where your refueling station is located, the HyValve 1000 operates reliably and within a broad temperature range. A compact design and long lifespan help to reduce space, investment and maintenance costs in any refueling system application.

We aim to be your partner in building a hydrogen economy. For your peace of mind, our hydrogen valves were honed for long maintenance periods and easy serviceability. Our HyValve range will convince you by its high repeatability, utmost safety and exceptional reliability.



HyValve 1000, Type 3106

HyValve 1000

Type 3106

Technical data

Medium	Hydrogen
Function	2/2-way solenoid valve, NC
Pressure range (PN)	1 ... 100 MPa 10 ... 1'000 bar 145 ... 14'500 Psi
Test pressure (PT)	150 MPa 1'500 bar 21'755 Psi
Burst pressure (DIN EN 12516-3)	> 300 MPa > 3'000 bar > 43'511 Psi
Design Pressure (PS)	1'000 bar (14'500 Psi)
Orifice size	DN 6
Material	Stainless steel (1.4404 or 1.4435)
Mounting	Any position
Ambient temperature	-40°C ... +50°C
Media temperature	-50°C ... +85°C
Rated voltage	24 V AC/DC or 230V AC
IP-Code	IP 65/67
EC-type-examination	Solenoid coil 2F86: EPS 18 ATEX 1098 X IECEX EPS 18.0055 X Nepsi GYJ 23.1022 X © II 2G Ex mb IIC 150°C (T3)...(T4)Gb

Order information

HyValve 1000

Type	Orifice Size	Tube Size	Flow Rate	Voltage	Material**	Item Number
3106	DN 6	3/8" (9.53)	Kv = 0.663 m ³ /h Cv = 0.766 US-gal/min	24 V AC/DC	1.4404	800.819.00
				230 V AC	1.4404	800.820.00
3106 B	DN 6	9/16" (14.29)	Kv = 0.663 m ³ /h Cv = 0.766 US-gal/min	24 V AC/DC	1.4404	800.839.00
				24 V AC/DC	1.4435	800.852.00
				230 V AC	1.4404	800.840.00
				230 V AC	1.4435	800.853.00

Solenoid coil

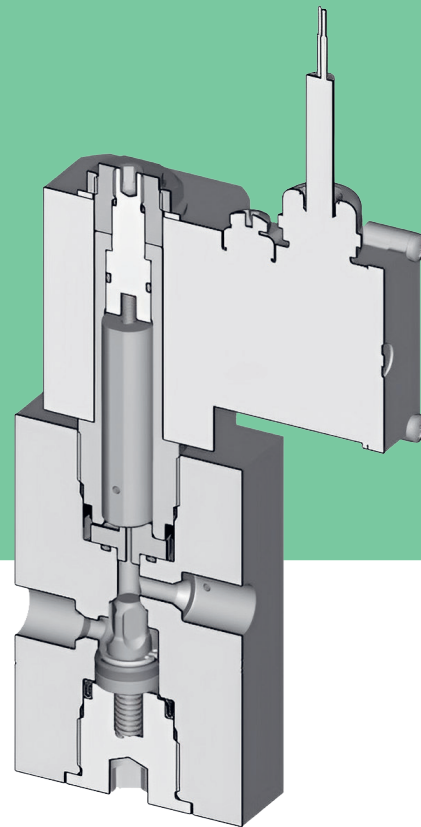
Type	Temperature Range	Rated Power	Voltage	Item Number
2F86	-50°C ... +85°C (T3)*	16 W***	24 V AC/DC ±15%	275.275.024B
	-50°C ... +85°C (T3)*	16 W***	230 V AC ±15%	275.275.230B

* T4: -50°C ≤ Tamb ≤ +65°C

** Pressure retaining housing is made of listed material

*** Duty cycle 100% over full temperature range

For detailed dimensional drawing or 3-D model, please contact us.



Eugen Seitz AG
Spitalstrasse 204
8623 Wetzikon
Switzerland
+41 44 931 80 80
h2info@seitz.ch

西兹阀门技术(上海)有限公司
中国 .上海市 .虹漕路 421 号67 幢910 室
电话: +86 21 33633880
传真: +86 21 33633883

Our policy is one of continued research and development. We therefore reserve the right to amend, without notice, the specification given in this document.

© 2024 Eugen Seitz AG