

Cooling Valve

PET Blowing Applications – Cooling Valve For internal PET bottle cooling in hot fill process

- Using well-proven valve technology
- Direct acting pilot valve
- Maintenance friendly design



Cooling Valve

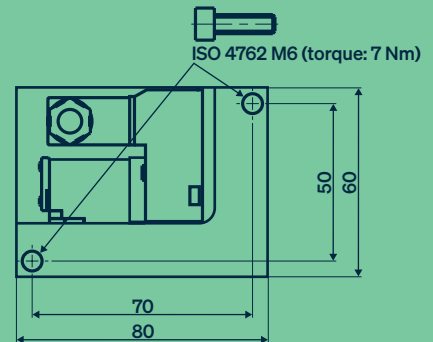
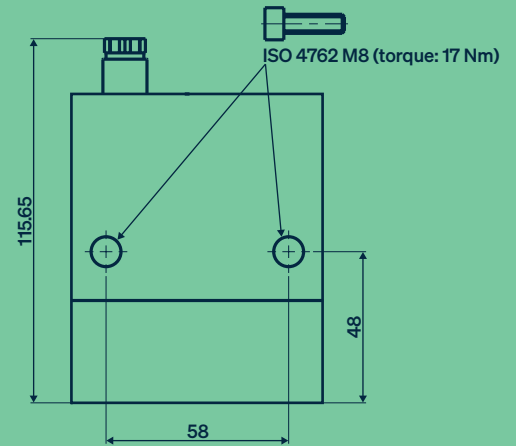
Technical data

Function	2/2-way NC
Operating pressure	5 ... 40 bar
Pilot pressure	7 ... 8 bar
Orifice diameter	15 mm
Port sizes	Inlet: G 1/2" female Consumer: G 1/2" female Pilot air supply: G 1/8" female
Material	Unit body: Aluminium coated Pistons: Plastic, FDA compliant Grease: FDA compliant
Mounting position	Any
Media	Compressed air according ISO 8573-1 – Particles: Quality 2 – Pressure dew point: Quality 4 – Oil content: Quality 2
Media temperature	+5 °C ... +40 °C
Ambient temperature	+10 °C ... +50 °C
Pilot valve	24 V DC, 3 W, IP65 Without manual override

Order information

Part no.	Denomination	Gross-Weight
270.584.00	Cooling Valve	1.3 kg/pc (net weight) 0.98 kg/pc

Detailed dimensional drawings and 3D models are available on request, please contact us.



Eugen Seitz AG
Spitalstrasse 204
8623 Wetzikon
Switzerland
+41 44 931 80 80
info@seitz.ch

Seitz Valve Technology (Shanghai) Co., Ltd.
Room 910, Building No 67
Hong Cao Rd 421
200233 Shanghai
People's Republic of China
+86 21 3363 3880
information@seitz.cn